

DL24MP-Series Battery tester

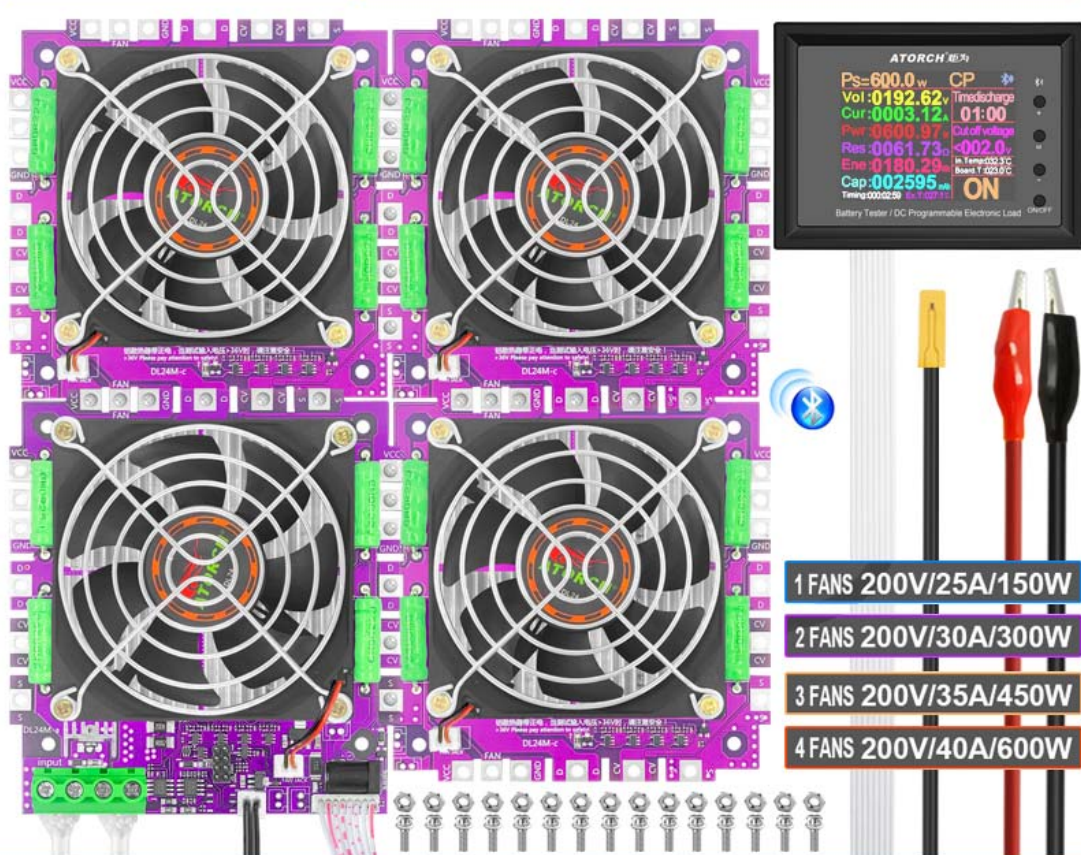
User Manual

2.4-inch HD color screen Bluetooth digital transmission curve version
battery capacity / DC power multi-function tester

□ 150W □ 300W □ 450W □ 600W

ATORCH® 32位 ARM® Cortex® CPU内核

DL24MP-600W Using the latest 4-Core MOSFET
Smart Temperature Control Fan



The image shows the DL24MP-600W battery tester unit, which is a purple PCB populated with four large cooling fans. A digital display on the right shows the following test parameters:

Parameter	Value
Ps	600.0w
Vol	0192.62v
Cur	0003.12A
Phr	0000.97v
Res	0061.73Ω
Ene	0180.29wh
Cap	002595mAh
Temp	000000.00
CP	Timecharge 01:00
DIAG Voltage	<002.0v
Boost	7.00V/8.0V
ON/OFF	ON

1 FANS 200V/25A/150W
2 FANS 200V/30A/300W
3 FANS 200V/35A/450W
4 FANS 200V/40A/600W

Free splicing 150W~600W constant current discharge load meter

(This product will be updated at any time, please pay attention to the web page description for detailed update details)

Product parameters:

Test voltage:2~200V

Working current:□3MA~25A/150W/ □3MA~30A/300W/ □3MA~35A/450W/ □3MA~40A/600W

DL24 Discharge power: voltage * current < 150 W & < 300 W & < 450 W & < 600 W

(The actual running current is limited by the maximum power, please adjust the current according to the law of energy conservation)

The built-in over-current, over-temperature, over-power safety protection functions, if the protection interface is popped up, please pay attention to the parameter adjustment, shall adjust to the maximum power, and then discharge, you can first slowly and smoothly adjust the preset value in the start and discharge, in order to adjust up to the maximum power for discharging

2.Product application:

1.1 Battery capacity test

The tester is designed for the discharge of various batteries, 18650 battery, car battery including NiMH, NiCd, LiPo, LiFe and Pb, as well as capacity testing.

1.2 Mobile power test

This tester supports discharging of mobile power supply and capacity test.

1.3 Power performance test

The tester supports performance and aging tests of various DC power supplies.

(2):

2.1 Power supply: DC12V/2A

2.2 Voltage range: 0-200.00V, step 0.01V

2.3 Current range: 0.010-20.00A, step 0.01A (the current is automatically adjusted according to the power limit)

2.4 Discharge method:

CC: Constant current discharge of the battery, which supports testing of battery capacity or power supply current.

CP: Discharge the battery with constant power for use or test power such as constant power equipment.

2.5 Discharge power:150W




2.6 Four wires: voltage and current channels are separated, with high test accuracy

2.7 IPS display: voltage, current, time, capacity, power, electric energy, etc.

2.8 PC connection: The tester can be connected to the computer through Bluetooth to achieve more functions, such as graphics, calibration, firmware upgrades, and test cycles.

3.Function interface introduction:

This product adopts the high-end and cost-intensive "2.4-inch high-definition large color Chinese and English display screen", designed a variety of functional interface content, Various parameters are displayed on one screen, and different function interfaces can be switched by short pressing the button. The interface diagram and introduction are as follows

<p>startup screen</p> 	<p>Complete test report</p> 																																											
<p>Constant Current (CC)</p> 	<p>Constant Power (CP)</p> 																																											
<p>Constant Voltage (CV)</p> 	<p>Constant Resistance (CR)</p> 																																											
<p>BRT test mode</p> 	 <table border="1"> <thead> <tr> <th>(12.48V) / (12.48V) / (12.48V) / (12.48V) / (12.48V) / (12.48V) / (12.48V) / (12.48V)</th> <th>DC load step-down type battery internal resistance testing</th> <th>Start</th> </tr> </thead> <tbody> <tr> <td>open voltage</td> <td>Load voltage</td> <td>Load current</td> <td>Internal resistance</td> </tr> <tr> <td>(12.48V - 12.48V) / 0.1 A</td> <td>=</td> <td>312 mR</td> </tr> <tr> <td>(12.48V - 12.44V) / 0.2 A</td> <td>=</td> <td>259 mR</td> </tr> <tr> <td>(12.48V - 12.41V) / 0.3 A</td> <td>=</td> <td>229 mR</td> </tr> <tr> <td>(12.48V - 12.38V) / 0.4 A</td> <td>=</td> <td>262 mR</td> </tr> <tr> <td>(12.48V - 12.25V) / 0.8 A</td> <td>=</td> <td>292 mR</td> </tr> <tr> <td>(12.48V - 12.10V) / 1.2 A</td> <td>=</td> <td>321 mR</td> </tr> <tr> <td>(12.48V - 11.87V) / 1.8 A</td> <td>=</td> <td>340 mR</td> </tr> </tbody> </table> <p>DC load step-down type battery internal resistance: 237 mR Analog integrated average value internal resistance: 106 mR</p>	(12.48V) / (12.48V) / (12.48V) / (12.48V) / (12.48V) / (12.48V) / (12.48V) / (12.48V)	DC load step-down type battery internal resistance testing	Start	open voltage	Load voltage	Load current	Internal resistance	(12.48V - 12.48V) / 0.1 A	=	312 mR	(12.48V - 12.44V) / 0.2 A	=	259 mR	(12.48V - 12.41V) / 0.3 A	=	229 mR	(12.48V - 12.38V) / 0.4 A	=	262 mR	(12.48V - 12.25V) / 0.8 A	=	292 mR	(12.48V - 12.10V) / 1.2 A	=	321 mR	(12.48V - 11.87V) / 1.8 A	=	340 mR															
(12.48V) / (12.48V) / (12.48V) / (12.48V) / (12.48V) / (12.48V) / (12.48V) / (12.48V)	DC load step-down type battery internal resistance testing	Start																																										
open voltage	Load voltage	Load current	Internal resistance																																									
(12.48V - 12.48V) / 0.1 A	=	312 mR																																										
(12.48V - 12.44V) / 0.2 A	=	259 mR																																										
(12.48V - 12.41V) / 0.3 A	=	229 mR																																										
(12.48V - 12.38V) / 0.4 A	=	262 mR																																										
(12.48V - 12.25V) / 0.8 A	=	292 mR																																										
(12.48V - 12.10V) / 1.2 A	=	321 mR																																										
(12.48V - 11.87V) / 1.8 A	=	340 mR																																										
<p>PT test mode</p> 	 <table border="1"> <thead> <tr> <th>12.51V voltage down</th> <th>DC power / Charger energy detector</th> <th>Start</th> </tr> </thead> <tbody> <tr> <td>Real-time voltage</td> <td>Load current</td> <td>output power</td> </tr> <tr> <td>(0.10 V : 12.38V)</td> <td>X 0.4 A</td> <td>= 00484W</td> </tr> <tr> <td>(0.30 V : 12.18V)</td> <td>X 1.0 A</td> <td>= 01152W</td> </tr> <tr> <td>(0.68 V : 11.80V)</td> <td>X 2.0 A</td> <td>= 02361W</td> </tr> <tr> <td>(1.73 V : 10.78V)</td> <td>X 0.4 A</td> <td>= ERR W</td> </tr> </tbody> </table> <p>Rated output current: 02.2A Rated output power: 020.86W Max. output current: 02.6A Max. output power: 023.61W Remark: The result has an error of 10% under normal use.</p>	12.51V voltage down	DC power / Charger energy detector	Start	Real-time voltage	Load current	output power	(0.10 V : 12.38V)	X 0.4 A	= 00484W	(0.30 V : 12.18V)	X 1.0 A	= 01152W	(0.68 V : 11.80V)	X 2.0 A	= 02361W	(1.73 V : 10.78V)	X 0.4 A	= ERR W																									
12.51V voltage down	DC power / Charger energy detector	Start																																										
Real-time voltage	Load current	output power																																										
(0.10 V : 12.38V)	X 0.4 A	= 00484W																																										
(0.30 V : 12.18V)	X 1.0 A	= 01152W																																										
(0.68 V : 11.80V)	X 2.0 A	= 02361W																																										
(1.73 V : 10.78V)	X 0.4 A	= ERR W																																										
<p>CT test mode</p> 	 <table border="1"> <thead> <tr> <th>(12.41V)</th> <th>Wire resistance and current performance detector</th> <th>Start</th> </tr> </thead> <tbody> <tr> <td>Voltage step</td> <td>Empty voltage</td> <td>Load voltage</td> <td>Load current</td> <td>Resistance</td> </tr> <tr> <td>1) 0.1V : (12.38V - 12.28V)</td> <td>/</td> <td>0.40 A</td> <td>=</td> <td>219mR</td> </tr> <tr> <td>2) 0.2V : (12.38V - 12.18V)</td> <td>/</td> <td>0.80 A</td> <td>=</td> <td>295mR</td> </tr> <tr> <td>3) 0.3V : (12.38V - 12.08V)</td> <td>/</td> <td>0.98 A</td> <td>=</td> <td>304mR</td> </tr> <tr> <td>4) 0.4V : (12.38V - 11.98V)</td> <td>/</td> <td>1.27 A</td> <td>=</td> <td>313mR</td> </tr> <tr> <td>5) 0.5V : (12.38V - 11.88V)</td> <td>/</td> <td>1.65 A</td> <td>=</td> <td>318mR</td> </tr> <tr> <td>6) 0.6V : (12.38V - 11.78V)</td> <td>/</td> <td>1.85 A</td> <td>=</td> <td>323mR</td> </tr> <tr> <td>7) 0.7V : (12.38V - 11.68V)</td> <td>/</td> <td>1.45 A</td> <td>=</td> <td>ERRmR</td> </tr> </tbody> </table> <p>Cable average resistance value assessment: ≈ 232mR Cable current value when 0.3V voltage drop: ≈ 0.99A Cable current value when 0.5V voltage drop: ≈ 1.56A Cable current value when 0.7V voltage drop: ≈ 1.03A</p>	(12.41V)	Wire resistance and current performance detector	Start	Voltage step	Empty voltage	Load voltage	Load current	Resistance	1) 0.1V : (12.38V - 12.28V)	/	0.40 A	=	219mR	2) 0.2V : (12.38V - 12.18V)	/	0.80 A	=	295mR	3) 0.3V : (12.38V - 12.08V)	/	0.98 A	=	304mR	4) 0.4V : (12.38V - 11.98V)	/	1.27 A	=	313mR	5) 0.5V : (12.38V - 11.88V)	/	1.65 A	=	318mR	6) 0.6V : (12.38V - 11.78V)	/	1.85 A	=	323mR	7) 0.7V : (12.38V - 11.68V)	/	1.45 A	=	ERRmR
(12.41V)	Wire resistance and current performance detector	Start																																										
Voltage step	Empty voltage	Load voltage	Load current	Resistance																																								
1) 0.1V : (12.38V - 12.28V)	/	0.40 A	=	219mR																																								
2) 0.2V : (12.38V - 12.18V)	/	0.80 A	=	295mR																																								
3) 0.3V : (12.38V - 12.08V)	/	0.98 A	=	304mR																																								
4) 0.4V : (12.38V - 11.98V)	/	1.27 A	=	313mR																																								
5) 0.5V : (12.38V - 11.88V)	/	1.65 A	=	318mR																																								
6) 0.6V : (12.38V - 11.78V)	/	1.85 A	=	323mR																																								
7) 0.7V : (12.38V - 11.68V)	/	1.45 A	=	ERRmR																																								

--Key Button operate Description--



- 1) Short press the "ON/OFF" button to start and stop, short press the upper left corner of the "M" button to move the cursor and then adjust the corresponding value with the "+/-" button
- 2) Long press the "+/-" button at the same time to clear all accumulated data such as the current capacity, battery time, etc. (Long press the "ON/OFF" button to enter the background, also can be cleared in the background menu)
- 3) Long press the "M" button and the function mode starts to flash, then short press the "+/-" button to select the function (CC/CV/CR/CP/BRT/PT)

- 4) In OFF mode, long press the "ON/OFF" button to enter the background interface, then short press the "M" button to switch the setting column, and the "+/-" button to adjust the number
- 5) Short press the "+/-" button in the constant current accuracy column of the background setting interface to switch the constant current accuracy (10mA Or 1mA)
- 6) When the system is not supplying power, press and hold the "M" button and do not let go. Then power on again. Enter the splicing power option and jump to the actual power value before let go
- 7) Long press the "M" button the function mode starts to flash, short press the "M" button again to enter the setting adjustment value of the time-limited discharge and Cut off voltage column value

--Panel Main buttons and description--



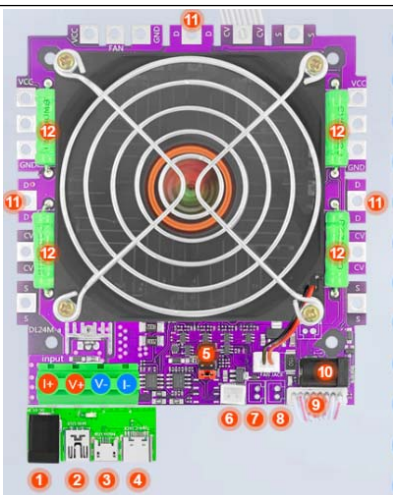
- I :Bluetooth indicator(Flashing waiting for Bluetooth connection, Long light indicates successful connection)
- II : "+" Valve Increase Button (Short press the button to increase the number, long press the button to increase continuously, When the mode is flashing, short press the button to cycle backwards)
- III: "M" Set Button (Long press "M" key to start function mode, press "+" or "-" key to switch CC/CV/CP/CR/BRT/PT mode, long press "M" key to start function mode, short press "M" again Key to switch between Time Discharge and Cut off voltage. Press the "+" or "-" key to set the value, the default is OFF)

IV: "-" Value Reduce Button (Short press the button to decrease the number and long press the button to decrease continuously. When the mode is flashing, short press to cycle forward)

V: "ON/OFF" Run ON/OFF Button (Short press the button, it is ON or OFF)

Long press the button to enter the product background settings, and use the "M" button and "+" or "-" button to set the parameters)

--Host Parameters and description--



1. Test various DC power inputs
2. Mini USB detection port inputs
3. Micro USB detection port inputs
4. Type-c USB detection port inputs
5. DIY assembly Different power reserve jumper positions (150W/300W/450W/600W)
6. External NTC temperature probe
7. Straight needle seat XH2.54-2P port
8. Straight needle seat XH2.542P port
9. 8p cable connected to the panel
10. DC5.5 system power supply (Must supply DC12V 1A2A/3A/5A)

4.Two kinds of 1mA or 10mA current test gear

Operation method: Long press the "ON/OFF" Button to enter the background, press the "M" Button,


select 05 item: Precision of current: 010mA ●1mA, set by "+" or "-"

(Tips: Start the test with a minimum of 3mA)

Measurement of small capacity batteries

Increase the thickness and automatic current constant current gear settings

1mA measurement




Test the capacity of <2A small batteries Simple, convenient and more accurate

10mA measurement




This gear is used to measure large-capacity batteries
The current range can measure the corresponding current value of the host

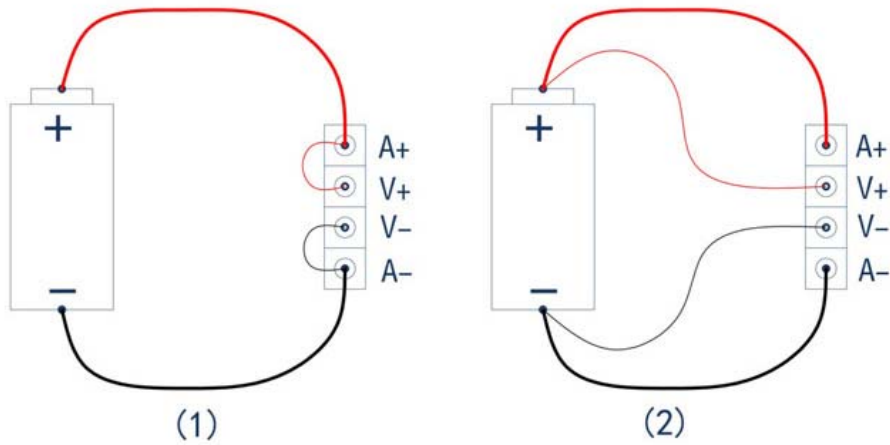
Automatic gear measurement




When the measurement is greater than 2A, it will automatically jump to the 10mA block
When the measurement is less than 2A, it automatically jumps to 1mA block


5. Two test wiring methods

Electronic load wiring diagram



- (1) **Two-wire wiring method:** this method is relatively simple and convenient.
Note: It must be connected to the 2 terminals [A+] and [A-].
- (2) **The four-wire wiring method:** the voltage measurement is not affected by the voltage drop of the wire, so that the voltage measurement. The quantity is more accurate, and it is recommended that buyers with a certain circuit basis use this method!

6. Test all kinds of batteries (The following description is the shared part of DL24MP. Please focus on physical objects)

 <p>Lead-acid battery capacity test 4-wire test / 2-wire test also can be tested</p>	<p>Test all kinds of batteries</p>
---	------------------------------------

7. Test all kinds of data cables/chargers



Test/discharge/aging/get it all
Play and test various USB data cables/chargers, first use a data cable
Connect the corresponding interface of the load, connect as shown in the figure below, when the load is turned on in the constant current mode
Adjust the current so that the voltage drop is 1V less than the no-load condition
The current value at this time is the current value of the measured data line

8. Through testing various DC power adapters



Play and measure the current, voltage, power and other parameters of various DC power adapters
Use the DC power supply to connect the DC independent power supply port of the load meter, and then use the "Settings" button to connect as shown in the figure below.
Precisely adjust the current to test the voltage and rated current of the power supply
The DC power supply can also be aged for a long time, with strong functions, simple operation, convenient and quick testing

9. Intelligent one-key full automatic detection of DC power supply



PT mode of charger current power performance
Press and hold the M button in the menu until the mode bar flashes, wait a while after pressing the ten-key PT mode Automatically enter the DC power supply/charger auto-detector mode, then plug in your tested power supply and Charger, then short press the start button, it will automatically start to run for a period of time and then report Displays 4 kinds of important numerical results, making complicated tests instantly simplified, accurate, and easy to use.

10. Test all kinds of power bank capacity



Test all kinds of power bank capacity

11. System background parameter setting

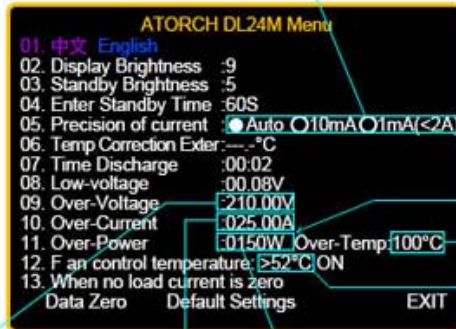
(operation: press and hold the ON/OFF key to enter the background)

Product background settings

Press and hold the ON/OFF button for about 3 seconds to enter the background settings



The test current accuracy gear, when it is < 2A, the test current accuracy is: 0.000A, when it is > 2A, the test current accuracy is: 0.00A, it will be automatically adjusted, the default is Auto.



Click the "+" button twice to enter the power and ampere selection, press the "+" or "-" button to select different power and amperage, press "M" button to confirm and return to the background

Over temperature alarm adjustment: 040°C-200°C

Default fan startup temperature: >52°C, can be adjusted from 040°C to 80°C, when you set it to 40°C, the fan starts, and -10°C turns off (that is, when the fan is turned off at 30°C)



Overvoltage alarm



Overcurrent alarm



Overpower alarm



Over temperature alarm

11.(DIY 150W / DIY 300W / DIY 450W / DIY 600W)

When product leave the factory, the default is: 150W (the jumper has been set to 150W)

When this product is at different powers, you need to set the jumper, please follow the following method to set!

@150W 3mA~25A ($V \cdot A < 150W$)

@300W 3mA~30A ($V \cdot A < 300W$)


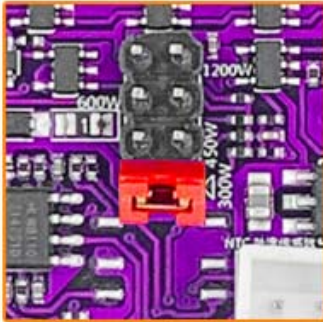


@450W 3mA~35A ($V \cdot A < 450W$)

@600W 3mA~40A ($V \cdot A < 600W$)

Software and hardware setting methods for splicing different powers

■150W ■300W ■450W ■600W □1200W

Note: splicing is not recommended above 1200W, please do not buy!

150W Jump Cap	300W Jump Cap	450W Jump Cap	600W Jump Cap
			
<p>150W 25A</p> <p>300W 30A</p> <p>450W 35A</p> <p>600W 40A</p> <p>1200W 40A</p> <p>1800W 40A</p> <p>2400W 40A</p> <p>3000W 40A</p> <p>Tip:Please Keep the same with the hardware version</p>	<p>150W 25A</p> <p>300W 30A</p> <p>450W 35A</p> <p>600W 40A</p> <p>1200W 40A</p> <p>1800W 40A</p> <p>2400W 40A</p> <p>3000W 40A</p> <p>Tip:Please Keep the same with the hardware version</p>	<p>150W 25A</p> <p>300W 30A</p> <p>450W 35A</p> <p>600W 40A</p> <p>1200W 40A</p> <p>1800W 40A</p> <p>2400W 40A</p> <p>3000W 40A</p> <p>Tip:Please Keep the same with the hardware version</p>	<p>150W 25A</p> <p>300W 30A</p> <p>450W 35A</p> <p>600W 40A</p> <p>1200W 40A</p> <p>1800W 40A</p> <p>2400W 40A</p> <p>3000W 40A</p> <p>Tip:Please Keep the same with the hardware version</p>
150W software selection	300W software selection	450W software selection	600W software selection

Default

13. Compatible with the current mainstream four online APPS

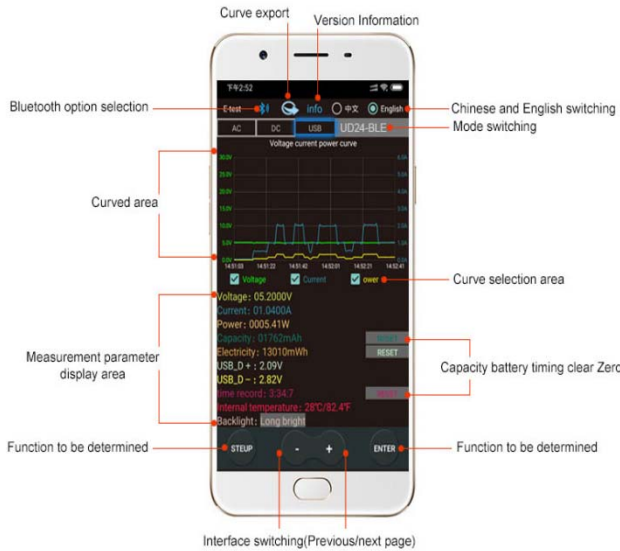
(Android/IOS/PC system) Online Testing

DT24 Color Voltmeter Wireless Bluetooth Online Operation Diagram

Mobile APP interface function introduction

Use the mobile phone Bluetooth function to wirelessly connect the product, with the included mobile APP software. Achieve more measurement and control details, leaving measurement technology without boundaries

We have obtained the Bluetooth CE, FCC, and other certifications. Using more advanced technology of Bluetooth 4.0, improved the old Bluetooth protocol and a reliable interface with applications. New Bluetooth 4.1 technology has additional noise reduction function, and make the Bluetooth function can process the process of the new time. And Bluetooth CE, FCC, other performance, and compatibility, for your convenience to more use wireless.



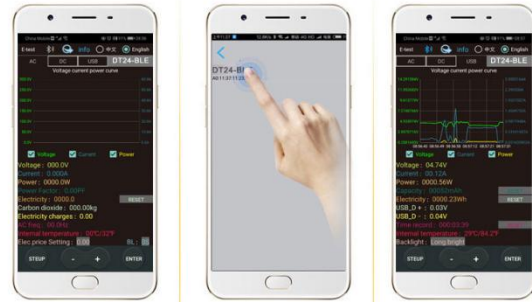
1. Plug **DT24 Voltmeter** into the USB charger and the Bluetooth indicator will light up.



2. Please download the mobile app software, only support Android 5.0 and above. <https://www.mediafire.com/folder/31bc15uhq8odb/E-meter> Then install the E-meter APP software on the phone.



3. Bluetooth on the phone needs to be turned on, Then open E-test APP on the phone



1. When the USB tester is powered on, the Bluetooth indicator is flashing, turn on the E-test App software icon, and allow Bluetooth to turn on.

2. Click the Bluetooth icon in the upper left corner of the APP to pop up the menu for selecting the USB tester model **DT24-BLE** return to the main APP interface.

3. During the measurement, the upper right corner shows the model currently online. **DT24-BLE**. The bluetooth icon in the upper left corner turns blue, indicating that the measurement is in online communication.

1) Apple Mobile APP:

Please search for **E_test** in the **Apple store** to download and install, then click the Bluetooth APP icon to open the software, and then click the Bluetooth icon above the software to enter the selection DL24M-BLE to connect, you can achieve mobile phone remote wireless remote control settings and Measurement function, the discharge status can be viewed at any time on the mobile phone, various data cleaning is visible, the voltage and current power curve of the discharge, etc.

2) Android phone APP(Only support Android 5.0 and above):

Scan the QR code on the back of the host to download the corresponding APP software or Android APP: search **E-test** at Google play to download. After the installation is complete, open the software and click the Bluetooth icon to enter the direct selection of DL24M-BLE to successfully use it online. (No need for Bluetooth pairing, the software Bluetooth icon directly selects DL24M-BLE. can)

Android APP Download Address: <http://www.mediafire.com/folder/31bc15uhq8odb/E-meter>

--App Connection Method--

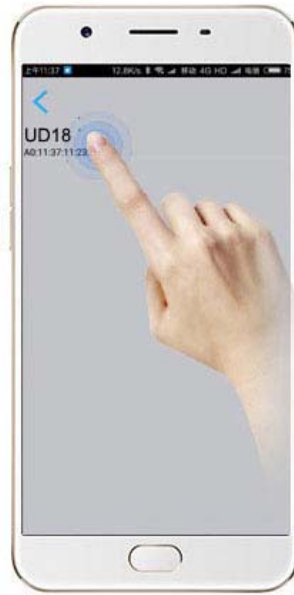


Please click this "E-test" APP to open the software



1

When the USB tester is powered on, the Bluetooth indicator is flashing, turn on the E-test App software icon, and allow Bluetooth to turn on.



2

Click the Bluetooth icon in the upper left corner of the APP to pop up the menu for selecting the USB tester model, **DL24-BLE**, return to the main APP interface.



3

During the measurement, the upper right corner shows the model currently online, **DL24-BLE**. The bluetooth icon in the upper left corner turns blue, indicating that the measurement is in online communication.

If you find that you have turned on Bluetooth and the display list is blank, please open your GPS location or E-test's location information and storage information permissions, log out again, and then try to connect again!

If it appears blank and no list is displayed, please turn on GPS positioning in your phone settings



1



2 Turn On GPS



3

How to find the Bluetooth symbol in E-Test APP

This operating instruction applies to all the company's Bluetooth products (UD18/DT24/DL24/AT3010/DPT3010/T18... etc.)

Please open your phone, **Setting**>>find the **Apps**>>manage the **Permissions**>>**Location**>>find our **E-test app**>>find the **storage information** and **location information**>>open the permissions **allow**, you can find us bluetooth symbol In the E-test list.



1 Please open your phone settings

Click settings

2

3

4

5

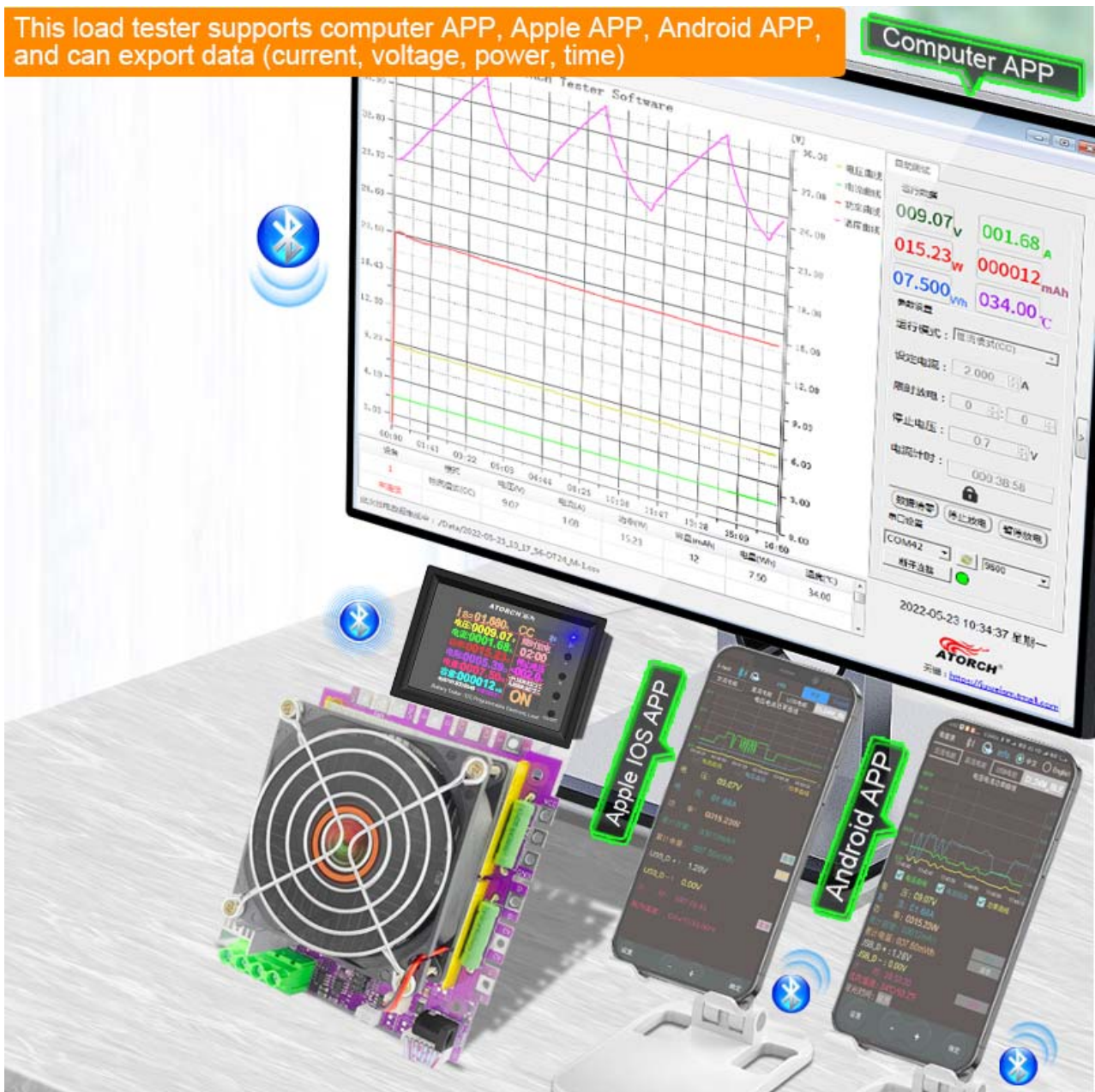
6

7

3) Computer Bluetooth wireless online APP:

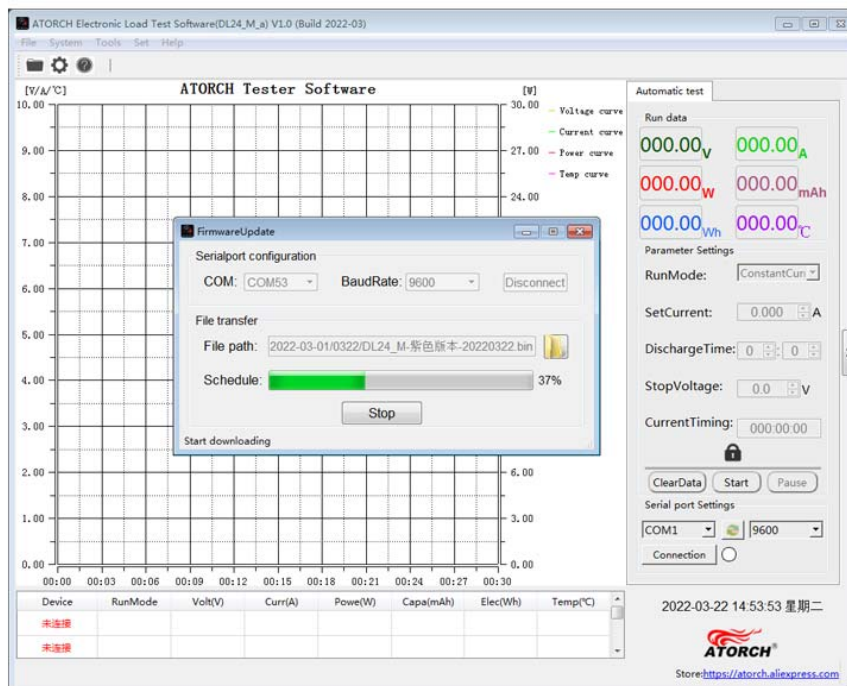
First add the Bluetooth device to the serial port device of DL24M-SPP on the computer, then scan the QR code on the back of the host to download the corresponding APP software and store it. Open the software without installing and select the Bluetooth serial port model just added. You can successfully use online https://www.mediafire.com/file/sxpzzzwdwvons9w/DL24_series_electronic_load_software_V1.1_version.zip/file

This load tester supports computer APP, Apple APP, Android APP, and can export data (current, voltage, power, time)



14. Firmware upgrade

Firmware upgrade

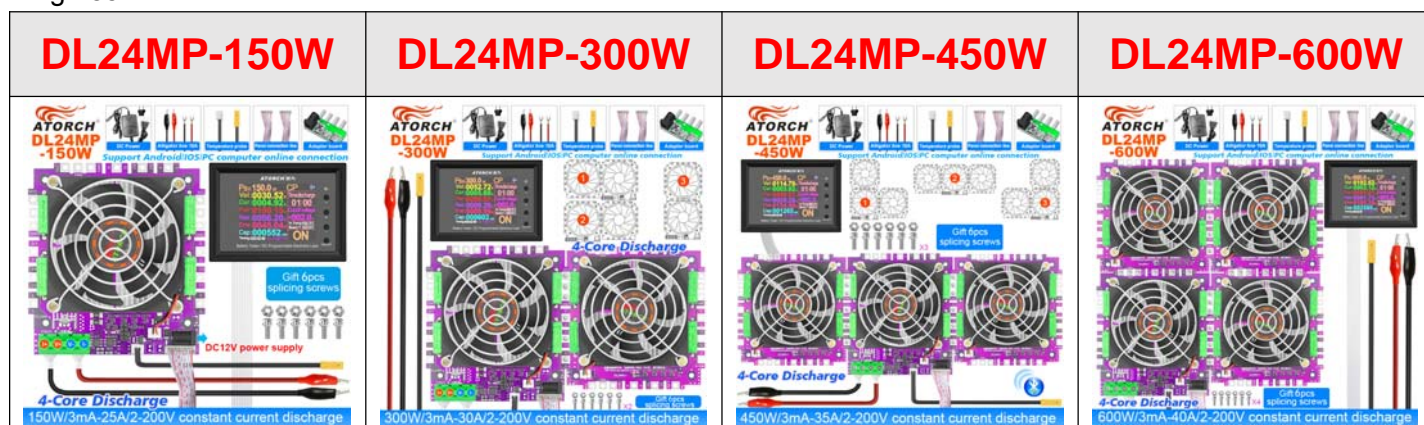


15. Product Size

Size above(length x width):106mmx106mm

Size below(length x width):106mmx118mm

High:85mm



IV.Product List

- 1.DL24MP Battery tester Color Display Bluetooth Digital Control Curve Version Load Tesr x1
- 2.DC12V Power supply x1
- 3.Male and female screws X 6pcs/sets
- 4.Temperature probe x1
- 5.Red and black single line crocodile clip line x1
- 6.US to EU adapter x1